

dLab 0

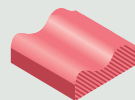
OPTICAL MEASURING INSTRUMENT FOR
O-RINGS AND TECHNICAL PARTS

PIECES

O-RING
TECH. PART

DIMENSION

MAX 100 CC (VOLUME)
500 ML X Ø80 MM (BEAKER DI-
MENSION)



DENSITY
CONTROL

DESCRIPTION

THE INSTRUMENT CONSISTS OF AN ELECTRONIC SCALE, AND AN AUTOMATIC BEAKER POSITIONING.

THE DATA IS VISUALIZED ON THE PC AND MEMORIZED IN THE DEDICATED DATABASE (PC IS NOT INCLUDED)

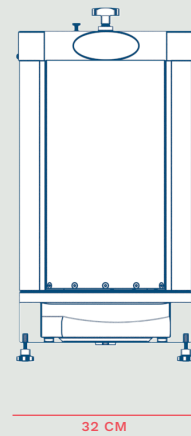
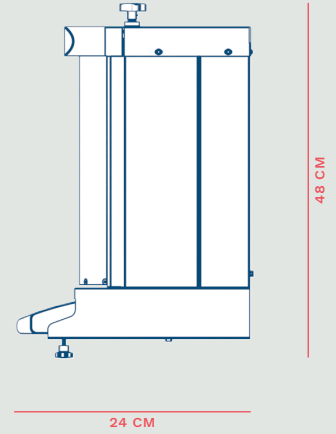
PIECE

TYPE	ELASTOMERS, RIGID MATERIALS
COLOUR	ALL
TYPICAL PIECE	O-RING, TECH. PART
CHARACTERISTICS	CLEAN, FREE OF DUST OR PARTICLES THAT MAY ALTER THE PART'S PROFILE
MAX WEIGHT	120 G
SIZE	MAXIMUM 100 CC (VOLUME) 500 ML X Ø80 MM (BEAKER DIMENSION)
CROSS SECTION/HEIGHT	N/A

PERFORMANCE

CYCLE TIME	30 SEC/PC
REPEATABILITY	0.01 G
ACCURACY	NA
WORKING TEMPERATURE	+5 °C - +40 °C
SINGLE PHASE POWER SUPPLY	230 V- 50 HZ
MAX INSTALLED POWER	0.1 KW
ELECTRICAL PROTECTION	IP 44
AVERAGE CONSUMPTION	0.02 KW

DIMENSION



CHARACTERISTICS



STATISTIC AND
REPORT



TRACEABILITY OF
PRODUCTION LOTS



REMOTE
MANAGEMENT