

dLab 4

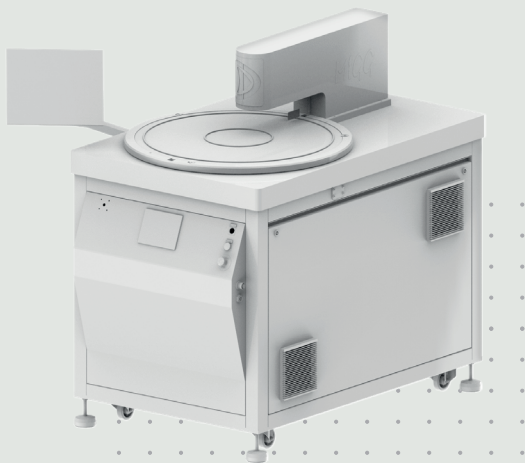
LASER MEASURING INSTRUMENT FOR
CIRCULAR AND FLEXIBLE PARTS

PIECES

O-RING
TECH. PART

DIMENSION

(A) 10 MM ID – 450 MM OD
(B) 230 MM ID – 720 MM OD



**DIMENSIONAL
CONTROL**

DESCRIPTION

CONTACTLESS MEASURING SYSTEM TO INSPECT CIRCULAR
PARTS, EVEN DEFORMED, WITH LASER.

THE PRECISION IS COMPLIANT WITH ISO 3601 STANDARD.
A CERTIFIED CALIBRATION RING IS AVAILABLE FOR THE
CUSTOMER.



PIECE

TYPE	CIRCULAR PART
COLOUR	ALL, NON-TRANSPARENT
TYPICAL PIECE	O-RING, TECH. PART
CHARACTERISTICS	CLEAN, FREE OF DUST OR PARTICLES THAT MAY ALTER THE PART'S PROFILE
MAX WEIGHT	(A) 0.8 KG, (B) 5 KG
SIZE	(A) 10 MM ID – 450 MM OD (B) 230 MM ID – 720 MM OD
CROSS SECTION/HEIGHT	UP TO 30 MM

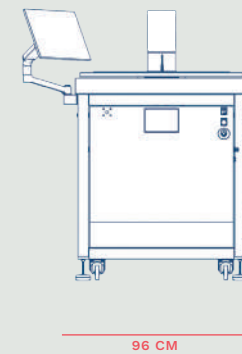
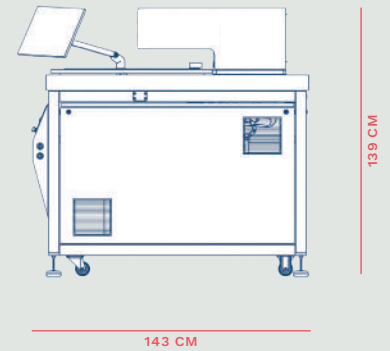
VISION

RESOLUTION	NA
FRAME FIELD	NA
CAMERA RESOLUTION	NA

PERFORMANCES

CYCLE TIME	(A) 15 SEC (NORMAL MODE), 5 SEC (QUICK MODE) (B) 31.9 SEC (NORMAL MODE), 10.9 SEC (QUICK MODE)
REPEATABILITY	± 0.015 MM
WORKING TEMPERATURE	NA
ACCURACY	± 0.030 MM
SINGLE PHASE POWER SUPPLY	115/230 V
MAX INSTALLED POWER	0.5 KW
ELECTRICAL PROTECTION	IP 44
AVERAGE CONSUMPTION	0.15 KW

DIMENSION



CHARACTERISTICS



STATISTIC AND REPORT



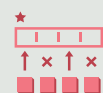
TRACEABILITY OF PRODUCTION LOTS



REMOTE MANAGEMENT



M.E.S. COMPATIBLE



CUSTOMIZABLE FOR SPECIAL PROJECTS