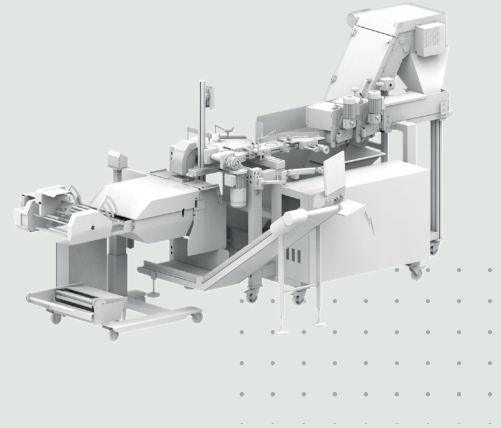


dPack

MACHINE FOR AUTOMATIC PIECE-COUNTING AND PACKAGING



PIECE

TYPE	ELASTOMERS, RIGID MATERIALS
COLORE	ALL, NON-TRANSPARENT
TYPICAL PIECE	O-RING, TECH. PART
CHARACTERISTICS	CLEAN, FREE OF DUST OR PARTICLES THAT MAY ALTER THE PART'S PROFILE
SIZE*	5 -80 MM OD
CROSS SECTION/HEIGHT	1 - 15 MM

VISION

RESOLUTION	0.043 MM/PIXEL
ZOOM	NO
CAMERA TYPE	MATRICIAL
MAX FRAME FIELD*	90 MM
CAMERA RESOLUTION	5 MEGAPIXEL

PERFORMANCE

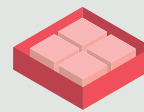
CYCLE TIME	UP TO 15 BAGS/MIN
TYPE OF FEEDING	AUTOMATIC
TYPE OF MACHINE	COUNTING AND PACKAGING
NOISE LEVEL (FOR ELASTOMERS)	< 75 DB
THREE PHASE POWER SUPPLY	230 - 480 V
MAX INSTALLED POWER	4 KW
AVERAGE CONSUMPTION	1 KW
COMPRESSED AIR CONSUMPTION	400 NL/MIN

*CUSTOMIZATION IS POSSIBLE

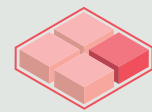
DESCRIPTION

AN AUTOMATIC SYSTEM FEEDS A ROTATING TABLE AND A VISION SYSTEM RECOGNIZES IF THE PARTS BELONG TO THE BATCH.

THE INSPECTION IS PERFORMED IN HIGH SPEED MODE. THE MACHINE CAN BE CONNECTED TO OTHER PACKING AND LABELING SYSTEMS



PACKING



PIECE
COUNT AND CERTIFY

CHARACTERISTICS



STATISTIC AND
REPORT



TRACEABILITY OF
PRODUCTION LOTS



REMOTE
MANAGEMENT

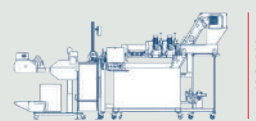


M.E.S.
COMPATIBLE



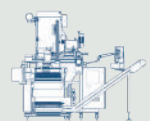
CUSTOMIZABLE FOR
SPECIAL PROJECTS

DIMENSION



381 CM

190 CM



237 CM