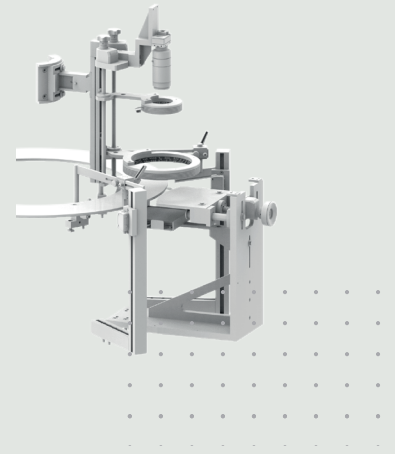
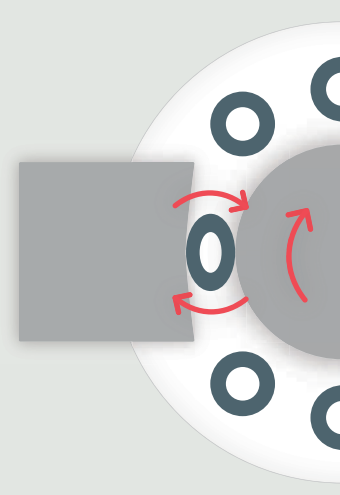


# SQUEEZER® station

THE PATENTED PIECE SYSTEM DEVELOPED  
BY DOSS VISUAL SOLUTION



## STANDARD CONFIGURATION



PIECE	<b>TYPE</b>	ELASTOMERS
	<b>COLOUR</b>	ALL, NON-TRANSPARENT
	<b>TYPICAL PIECE</b>	O-RING, TECH. PART WITH CIRCULAR SHAPE
	<b>CHARACTERISTICS</b>	CLEAN, FREE OF DUST OR PARTICLES THAT MAY ALTER THE PART'S PROFILE
	<b>SIZE*</b>	(A) 5 MM ID – 30 MM OD (B) 5 MM ID – 50 MM OD
	<b>CROSS SECTION/HEIGHT</b>	1.5 – 8 MM
VISION	<b>RESOLUTION</b>	(A) 0.036 MM/PIXEL (B) 0.061 MM/PIXEL
	<b>ZOOM</b>	6X
	<b>CAMERA TYPE</b>	MATRICAL
	<b>MAX FRAME FIELD*</b>	(A) 90 MM (B) 15 MM
	<b>CAMERA RESOLUTION</b>	5 MEGAPIXEL
PERFORMANCE	<b>CYCLE TIME</b>	UP TO 3.2 PCS/SEC.

\*CUSTOMIZATION IS POSSIBLE

## DESCRIPTION

THIS ACCESSORY EXPANDS THE INSPECTION PERFORMANCE OF THE MACHINE AS IT SHOWS THE DEFECTS, WHICH OTHERWISE INVISIBLE, WHEN THE PIECE IS SQUEEZED MECHANICALLY. THIS SYSTEM IS SUITABLE FOR O-RINGS AND OTHER KIND OF CIRCULAR PIECES AS WELL. SQUEEZER IS AVAILABLE ON DSORT2 AND DSORT3.



THE DEFECT IS ONLY VISIBLE WHEN THE PIECE IS SQUEEZED